

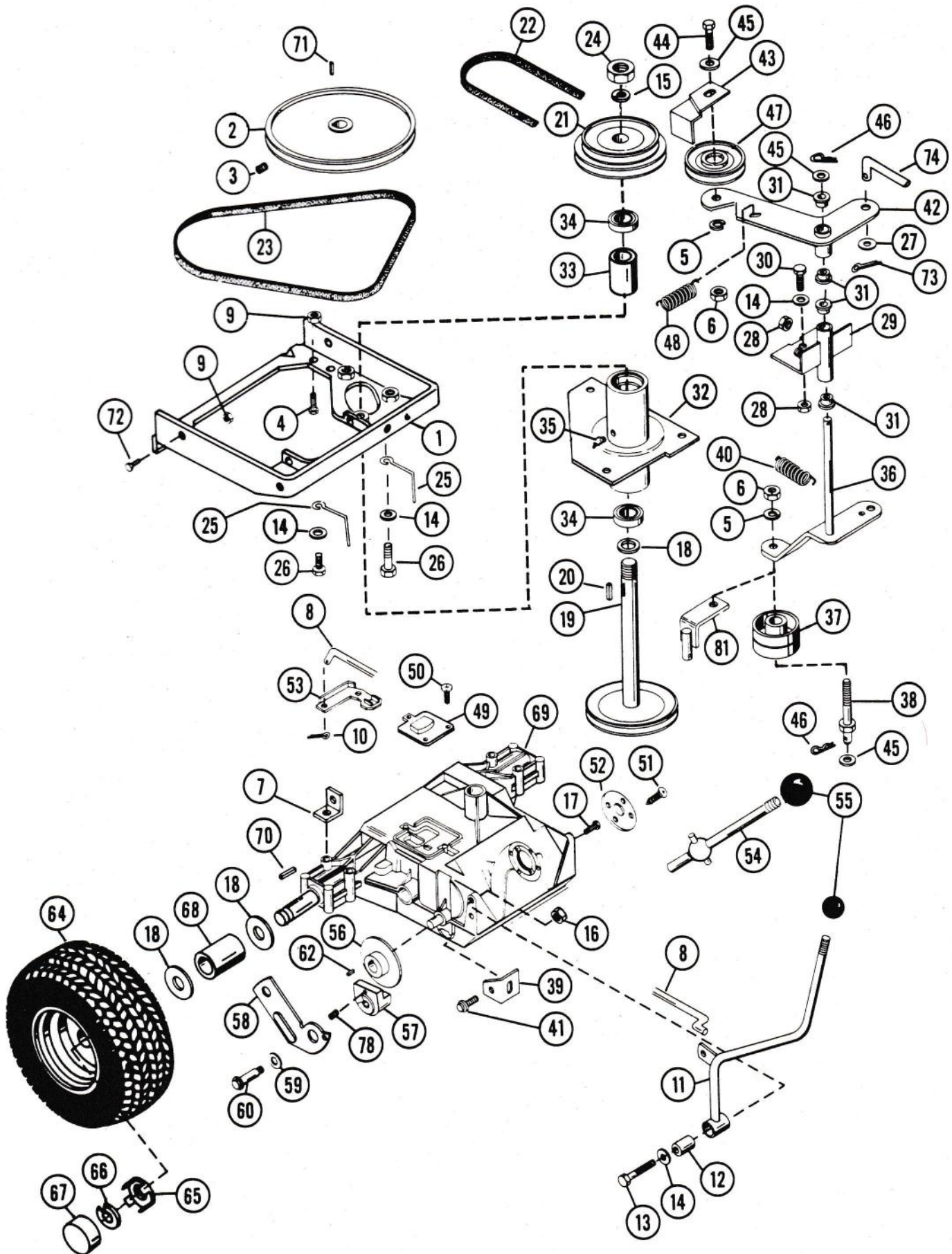


1138 TRACTOR AND 38" MOWER ILLUSTRATED PARTS LIST

TO CONTINUE ITS PROGRAM OF QUALITY AND DESIGN IMPROVEMENTS, THE MANUFACTURER RESERVES THE RIGHT TO CHANGE SPECIFICATIONS, DESIGNS AND PRICES WITHOUT NOTICE AND WITHOUT INCURRING OBLIGATION. THE MANUFACTURER ALSO RESERVES THE RIGHT TO SHIP WITHOUT NOTICE AND WITHOUT INCURRING OBLIGATION.

 **GRAVELLY.**

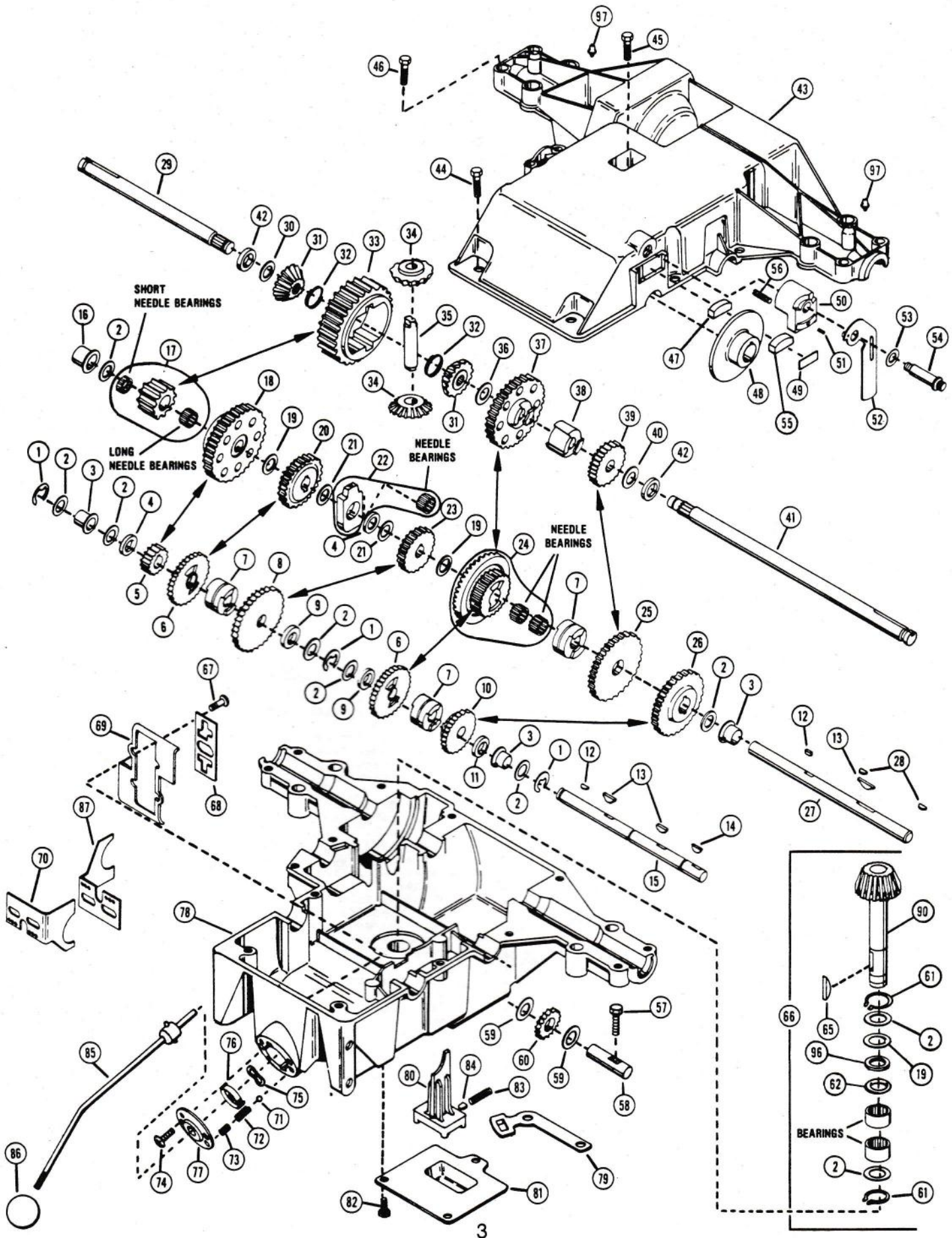
TRANSAXLE/DRIVE ASSEMBLY



TRANSAXLE/DRIVE ASSEMBLY

ITEM NO.	PART NO.	QTY.	DESCRIPTION
1	36211	1	Transaxle Mount
2	36212	1	Transaxle Sheave
3	102569	2	Screw, Set 1/4-20x.375 HS CP
4	180137	4	Bolt, Hex 3/8-16x2.75
5	120382	2	Washer, Lock 3/8 Reg.
6	120377	2	Nut, Hex 3/8-16
7	36217	1	Tab
8	36218	1	Selector Rod
9	413534	8	Nut, Lock 3/8-16
10	121222	1	Pin, Cotter .09x.75
11	36221	1	Range Selector Lever
12	36222	1	Spacer
13	180044	1	Bolt, Hex 1/4-20x2
14	120386	4	Washer, Flat .312x.734x.065
15	36225	1	Lockwasher, Internal 3/4"
16	413314	2	Nut, Lock 1/4-20
17	180022	1	Bolt, Hex 1/4-20x1.00
18	36785	6	Washer, Flat .750x1.25x.125
19	36229	1	Jackshaft Spindle
20	36230	1	Key, Straight SAE 1035
21	36231	1	Sheave (PTO) (3) Groove
22	36232	1	Main Drive Belt
23	36233	1	Traction Belt
24	20106	1	Nut, Lock 3/4-10
25	36235	2	Belt Finger
26	180079	3	Bolt, Hex 5/16-18x1.00
27	120388	1	Washer, Flat .438x1.000x.083
28	413447	3	Nut, Lock 5/16-18
29	36239	1	Idler Pivot
30	180077	1	Bolt, Hex 5/16-18x.75
31	36241	4	Flange Bushing
32	36242	1	Spindle Housing
33	36243	1	Spacer
34	35925	2	Bearing
35	36245	1	Zerk Fitting
36	36246	1	Idler Arm
37	36247	1	Attachment Idler
38	36248	1	Idler Mtg. Bolt
39	36249	1	Spring Anchor
40	35888	1	Drive Spring
41	180073	1	Bolt, Hex 5/16-18x.50
42	36251	1	Idler Arm
43	36252	1	Belt Retainer
44	180128	1	Bolt, Hex 3/8-16x1.75
45	120394	3	Washer, Flat .406x.812x.065
46	36185	2	Hair Pin, Internal 3/32x1-3/16
47	36256	1	Main Idler
48	36257	1	Extension Spring
49	36450	1	Hi-Lo Cover Plate
50	155886	3	Screw, Machine 8-32x.5
51	159920	4	Screw, Machine 10-24x.50
52	36261	1	Cover
53	36262	1	Hi-Lo Shift Lever
54	36454	1	Shift Lever Assembly
55	36061	2	Shift Ball
56	36419	1	Brake Disc
57	36421	1	Brake Jaw Assembly
58	36267	1	Lever, Actuating Assembly
59	36422	1	Washer
60	36423	1	Shoulder Bolt
62	431787	1	Key, Woodruff 3/16x5/8 HRD #61
64	36273	2	Tire and Wheel Assembly
			<u>Consists of:</u>
	36274	1	Tire
	36275	1	Rim
	36276	1	Tube Available
65	36277	2	Spindle Cup
66	36278	2	"E" Ring
67	36202	2	Hub Cap
68	36280	2	Spacer
69	36281	1	Transaxle
70	36282	2	Key, Straight 3/16x3/16x2
71	106751	1	Key, Woodruff 3/16x3/4 #9
72	180122	4	Bolt, Hex 3/8-16x1.00
73	137185	1	Pin, Cotter .125x1.00
74	36286	1	Clutch Rod
78	36288	1	Setscrew, No. 8-32
81	36290	1	Bracket

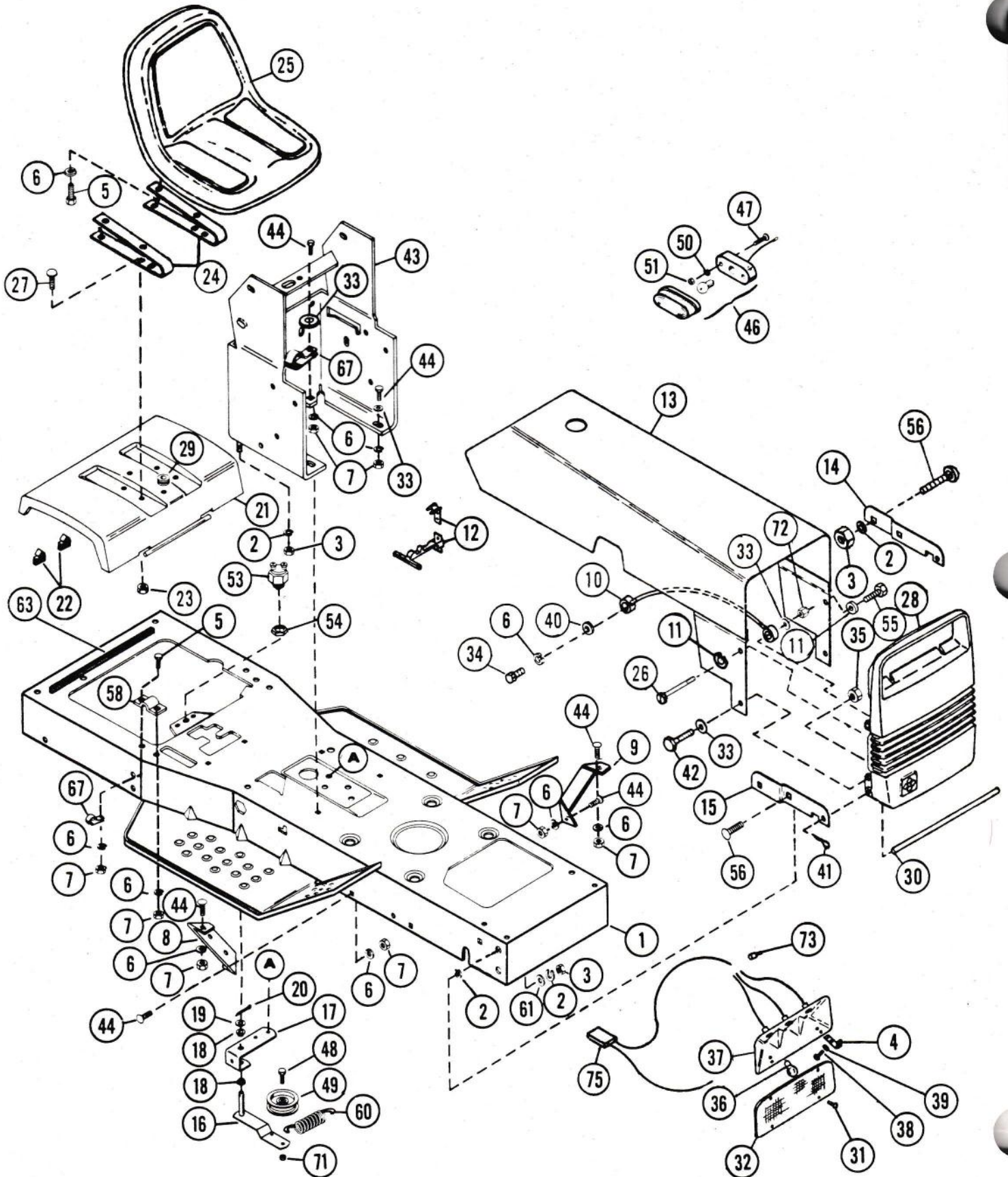
TRANSAXLE PARTS



TRANSAXLE PARTS

ITEM NO.	PART NO.	QTY.	DESCRIPTION
1	36372	3	Snap Ring
2	36460	AR	Shim Kit
3	36374	3	Flange Bushing
4	36375	2	Spacer
5	36376	1	Spur Gear 13T
6	36377	2	Spur Gear 25T
7	36378	3	Clutch Collar
8	36379	1	Spur Gear 30T
9	36380	2	Spacer
10	36381	1	Spur Gear 20T
11	36382	1	Washer .020
12	124543	2	Key, Woodruff .125x.50 HRD #3
13	36384	3	Hi-Pro Key
14	431787	1	Key, Woodruff .187x.625 HRD #61
15	36386	1	Intermediate Shaft
16	36387	1	Flange Bearing
17	36388	1	Gear Assembly 12T
18	36389	1	Spur Gear 37T
19	36461	3	Washer, .045 Thick
20	36391	1	Spur Gear 25T
21	36392	2	Washer .025
22	36393	1	Shaft Support Assembly
23	36394	1	Spur Gear 20T
24	36395	1	Bevel Gear Assembly
25	36396	1	Spur Gear 33T
26	36397	1	Spur Gear 30T
27	36398	1	Drive Shaft
28	36399	2	Woodruff Key
29	36400	1	L. H. Axle
30	36401	AR	Shim Kit
31	36402	2	Splined Miter Gear 15T
32	36403	2	Snap Ring
33	36404	1	Spur Gear 32T
34	36405	2	Miter Gear 15T
35	36406	1	Cross Shaft
36	36407	1	Washer .031
37	36408	1	Spur Gear 35T
38	36409	1	Gear Lock
39	36410	1	Spur Gear 22T
40	131018	1	Washer, Flat .938x1.750x.134
41	36412	1	R. H. Axle
42	36413	2	Felt Seal
43	36414	1	Lower Housing
44	180021	8	Bolt, Hex 1/4-20x.875
45	36416	1	Machine Screw #12-24x.625
46	180024	6	Bolt, Hex 1/4-20x1.25
47	36418	1	Friction Puck (Inner)
48	36419	1	Brake Disc
49	36420	1	Spacer
50	36421	1	Brake Jaw Assembly
51	36288	1	Setscrew, No. 8-32
52	36267	1	Lever, Actuating Assembly
53	36424	1	Washer
54	36425	1	Shoulder Bolt
55	36270	1	Puck, Friction
56	36427	1	Compression Spring
57	436737	1	Screw, Mach. 10-24x1.25 PHD
58	36429	1	Idler Shaft
59	36430	2	Washer .020 Thick
60	36431	1	Idler Gear Assembly
61	36432	2	Snap Ring
62	36433	1	"O" Ring
65	106751	1	Key, Woodruff 3/16x3/4 #9
66	36435	1	Input Shaft Assembly
67	181566	4	Bolt, Hex 1/4-28x.75
68	36437	1	Lockout Plate
69	36438	1	Fork Support Plate
70	36439	1	Shifter Fork
71	36440	2	Detent Ball
72	36441	2	Detent Spring
73	102570	2	Screw, Set 1/4-20x.375 H/SCK
74	159920	4	Screw, Machine 10-24x.50
75	36444	1	Wave Washer
76	36445	1	Nylon Insert
77	36261	1	Cover
78	36447	1	Upper Housing
79	36262	1	Hi-Lo Shift Lever
80	36449	1	Hi-Lo Shifter Fork Assembly
81	36450	1	Hi-Lo Cover Plate
82	155886	3	Screw, Mach. 8-32x.50
83	36452	1	Detent Spring
84	36453	1	Detent Pin
85	36454	1	Shift Lever Assembly
86	36061	1	Shift Knob
87	36456	1	Shifter Fork
90	37051	1	Pinion and Shaft Assembly
96	36462	1	Washer .040 Thick
97	411027	2	Fitting, Lube 1/4-28

FRAME ASSEMBLY



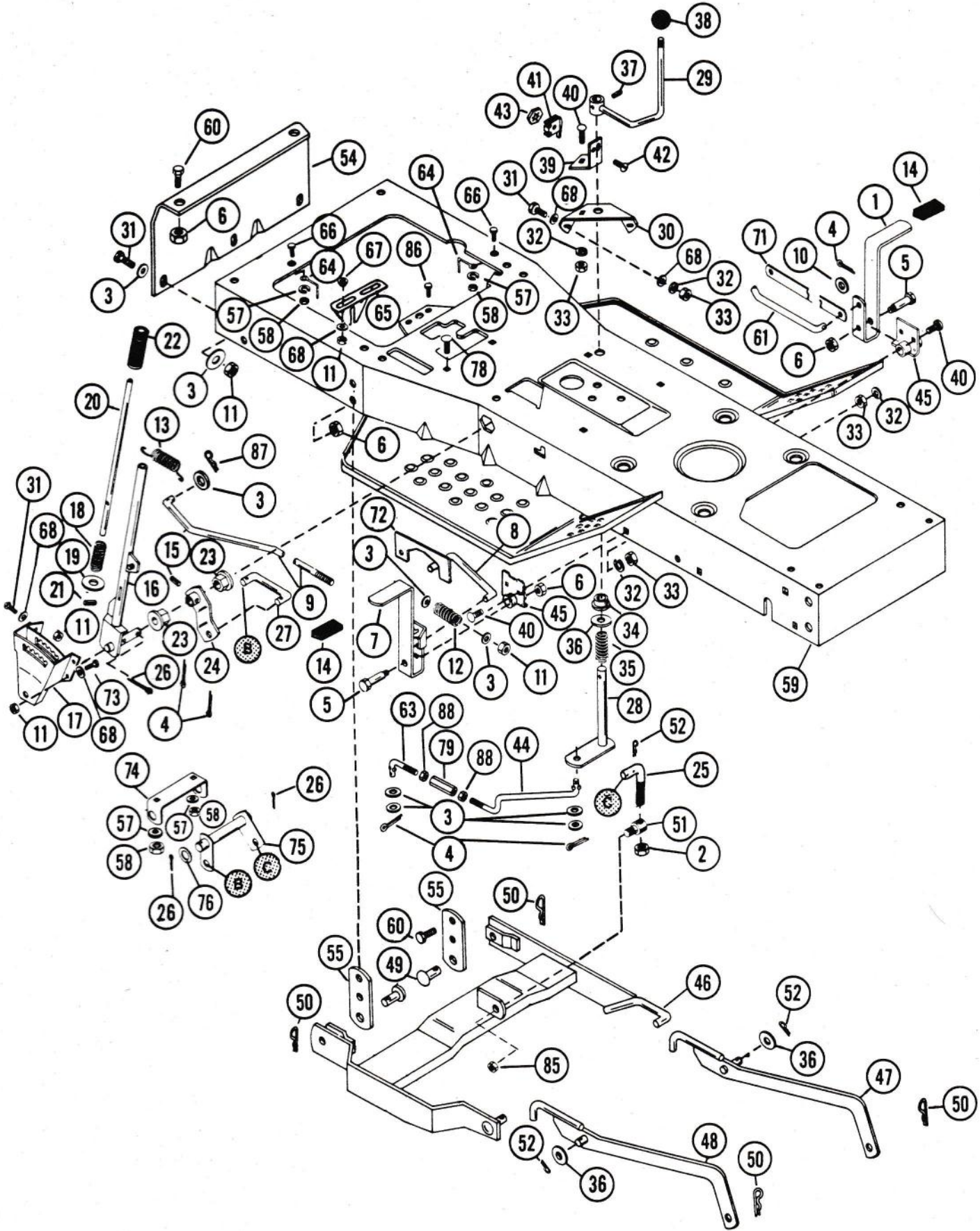
FRAME ASSEMBLY

ITEM NO.	PART NO.	QTY.	DESCRIPTION
1	36167	1	Frame
2	120382	7	Washer, Lock 3/8 Reg.
3	120377	5	Nut, Hex 3/8-16
4	11030	4	Clip, Light Mounting
5	180077	8	Bolt, Hex 5/16-18x.75
6	131099	16	Washer, Lock 3/8 Sp Heavy
7	120376	11	Nut, Hex 5/16-18
8	36469	1	Strut Right Foot Board
9	36470	1	Strut Left Foot Board
10	40118	1	Hood Lanyard
11	446179	2	Washer, Flat .250x.500x.049
12	35294	2	Draw Latch Assembly
13	35300	1	Weldment, Hood
14	35296	1	Bracket, Hood Pivot (L.H.)
15	35297	1	Bracket, Hood Pivot (R.H.)
16	36473	1	Idler Arm
17	36474	1	Idler Pivot
18	36241	2	Flange Bushing
19	120394	1	Washer, Flat .406x.812x.065
20	137185	1	Pin, Cotter .125x1.00
21	36478	1	Rear Deck
22	36479	2	Bumper
23	419455	4	Nut, Lock 5/16-18
24	35406	2	Spring, Seat
25	38940	1	Seat, High Back
26	180033	1	Bolt, Hex 1/4-20x1.375
27	126358	4	Bolt, Carriage 5/16-18x.75
28	33780	1	Casting, Grille
29	36485	1	Grommet
30	35295	1	Rod, Hood Pivot
31	159920	4	Screw, Machine 10-24x.50
32	11289	1	Panel, Front Light
33	120386	6	Washer, Flat .312x.734x.065
34	180078	1	Bolt, Hex 5/16-18x.875
35	413447	2	Nut, Lock 5/16-18
36	454646	3	Lamp, No. 1073
37	11334	1	Assembly, Lamp Reflector
38	159947	4	Screw, Machine 10-24x.75
39	120385	4	Washer, Flat .188x.562x.049
40	446354	1	Washer, Flat .313x.875x.065
41	36185	2	Cotter, Hair Pin
42	180081	2	Bolt, Hex 5/16-18x1.25
43	36498	1	Dash Base
44	126216	7	Bolt, Carriage 5/16-18x.75
46	36123	1	Tail Light Assembly
			Consists of:
	36784	1	Lens
		1	Bulb, Std. GE No. 1895
47	159929	2	Screw, Mach. 10-24x.625
48	180126	1	Bolt, Hex 3/8-16x1.50
49	35851	1	Idler
50	120217	2	Washer, Lock No. 10 SP
51	36506	2	Nut
53	36110	1	Switch, Interlock-Shift
54	36509	1	Nut, Hex 9/16-18
55	180021	1	Bolt, Hex 1/4-20x.875
56	120915	4	Bolt 3/8-16x1.00 Rd Hd Sq Nk
58	36511	2	Brace
60	36512	1	Spring
61	120388	4	Washer, Flat .438x1.000x.083
63	36515	1	Foam Tape
67	36518	2	J-Clamp
71	413534	1	Nut, Lock 3/8-16
72	419454	1	Nut, Lock 1/4-20
73	11763	1	Nut, Wire
75	36788	1	Headlight Wiring Harness

Not Illustrated:

38056	1	Decal, America
35323	2	Decal, Model 1138
35324	1	Decal, Side Stripe L.H.
39008	1	Decal, Side Stripe R.H.
24588	1	Decal, Gravely Logo
24608	2	Decal, Gravely Logo
35318	1	Decal, Tractor 1138
35317	1	Decal, Console

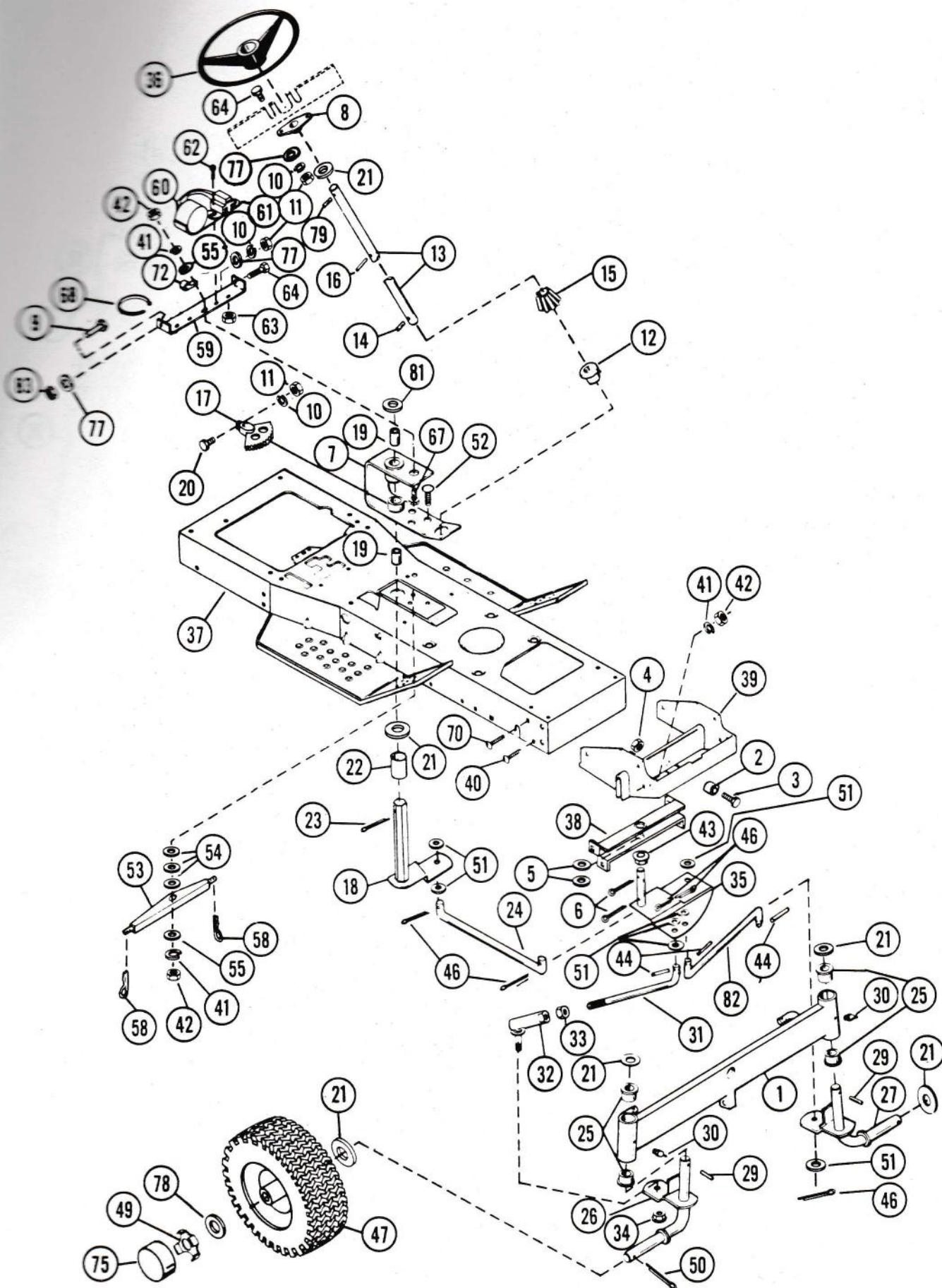
LINKAGE ASSEMBLY



LINKAGE ASSEMBLY

ITEM NO.	PART NO.	QTY.	DESCRIPTION
1	36024	1	Clutch Pedal
2	120238	1	Nut, Jam 1/2-13 Hex
3	120394	12	Washer, Flat .406x.812x.065
4	137185	5	Pin, Cotter .125x1.00
5	36028	2	Shoulder Bolt
6	413534	6	Nut, Lock 3/8-16
7	36030	1	Brake Pedal
8	36031	1	Parking Brake Rod
9	36032	1	Brake Rod
10	120388	1	Washer, Flat .438x1.000x.083
11	413447	9	Nut, Lock 5/16-18
12	36035	1	Brake Spring
13	36036	1	Extension Spring
14	36037	2	Pedal Cover
15	36038	1	Pin, Groove 1/4x1-1/4
16	36039	1	Lift Handle
17	36040	1	Lift Quadrant
18	36041	1	Spring
19	446494	1	Washer, Flat .56x1.87x.109
20	36043	1	Plunger Rod
21	455313	1	Pin, Spring .250x1.750
22	36045	1	Grip
23	36046	2	Flange Bushing
24	36047	1	Lift Arm
25	36048	1	Adjustment Link
26	137204	3	Pin, Cotter .125x1.500
27	36050	1	Lift Link
28	36051	1	PTO Lever
29	36052	1	PTO Handle
30	36053	1	Bracket
31	180077	6	Bolt, Hex 5/16-18x.75
32	131099	7	Washer, Lock 3/8 Sp Heavy
33	120376	7	Nut, Hex 5/16-18
34	36057	1	Flange Bushing
35	36058	1	Compression Spring
36	120389	5	Washer, Flat .500x1.250x.083
37	454668	1	Pin, Spring .187x1.250
38	36061	1	Shift Ball
39	36062	1	Switch Bracket
40	126216	5	Bolt, Carriage 5/16-18x.75
41	36107	1	Switch, Interlock - PTO
42	159929	1	Screw, Machine 10-24x.625
43	36191	1	Nut, Keps 10-24
44	36067	1	Idler Link
45	36068	2	Pedal Pivot
46	36069	1	Rear Hanger
47	36070	1	Front Hanger Arm - Right
48	36071	1	Front Hanger Arm - Left
49	36568	2	Clevis Pin
50	36566	4	Hair Pin, Internal .094
51	36074	1	Rod End
52	36075	3	Hair Pin, Internal
54	36077	1	Draw Bar
55	36078	2	Hanger Bracket
57	120382	4	Washer, Lock 3/8 Reg.
58	120377	4	Nut, Hex 3/8-16
59	36167	1	Frame
60	180120	4	Bolt, Hex 3/8-16x.75
61	36286	1	Clutch Rod
63	36084	1	Idler Adjustor Link
64	36235	2	Belt Finger
65	36086	1	Cam Actuator
66	180122	2	Bolt, Hex 3/8-16x1.00
67	36019	2	Spacer
68	120386	8	Washer, Flat .312x.734x.065
71	36090	1	Link
72	36091	1	Cam
73	180081	2	Bolt, Hex 5/16-18x1.25
74	36093	1	Center Lift Bracket
75	36094	1	Center Lift Lever
76	131018	1	Washer, Flat .938x1.750x.134
78	126227	2	Bolt, Carriage 3/8-16x.75
79	36098	1	Coupling Nut 3/8-16
85	414074	1	Nut, Lock 1/2-13
86	180078	2	Bolt, Hex 5/16-18x.875
87	36185	1	Pin, Hair Int. 3/32x1.187
88	124829	2	Nut, Jam 3/8-16 Hex

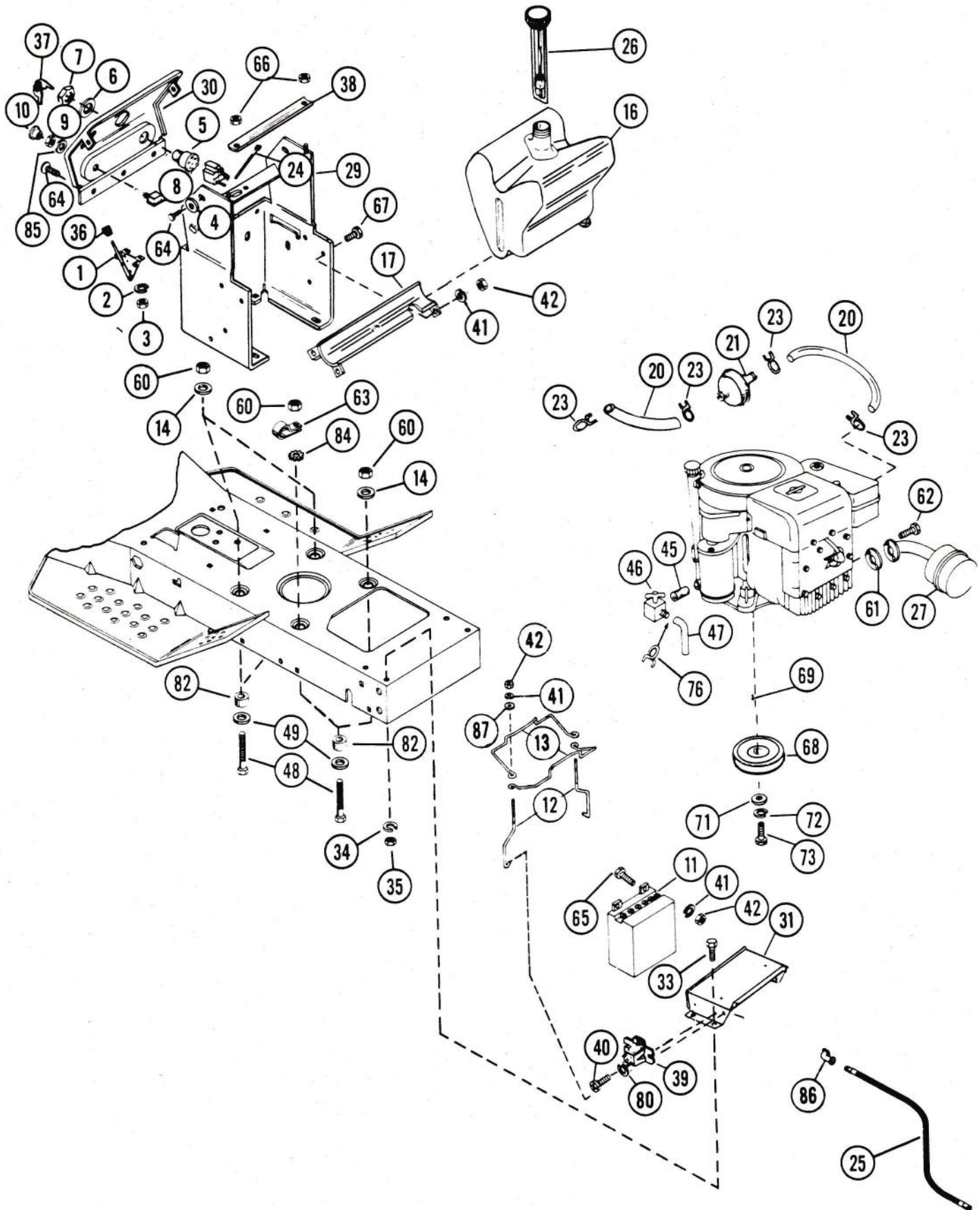
FRONT AXLE AND STEERING



FRONT AXLE AND STEERING

ITEM NO.	PART NO.	QTY.	DESCRIPTION
1	36131	1	Front Axle Assembly
2	36132	1	Spacer
3	180175	1	Bolt, Hex 1/2-13x1.25
4	416464	1	Nut, Lock 1/2-13
5	131016	2	Washer, Flat .656x1.312x.095
6	120123	2	Pin, Cotter .125x1.25
7	36137	1	Steering Bracket
8	36138	1	Flange Bearing
9	180081	1	Bolt, Hex 5/16-18x1.25
10	131099	5	Washer, Lock 3/8 Sp Heavy
11	120376	5	Nut, Hex 5/16-18
12	36142	1	Flange Bushing
13	36143	1	Steering Column
14	36144	1	Pin
15	36145	1	Pinion Gear, Steering
16	454668	1	Pin, Spring .187x1.250
17	36147	1	Steering Bevel Gear
18	36148	1	Arm and Shaft
19	36149	2	Sleeve Bushing
20	180085	2	Bolt, Hex 5/16-18x1.75
21	131018	9	Washer, Flat .938x1.750x.134
22	36152	1	Spacer
23	187988	1	Pin, Cotter .187x1.25
24	36154	1	Steering Link
25	36155	4	Flange Bushing
26	36156	1	R. H. Spindle
27	36157	1	L. H. Spindle
29	413315	2	Pin, Spring .250x1.500
30	36160	2	Spin Drive Zerk Fitting
31	36161	1	Drag Link
32	36162	1	Ball Joint
33	120371	1	Nut, Hex 1/2-20
34	415993	1	Nut, Lock 1/2-20
35	36165	1	Steering Pivot
36	36166	1	Steering Wheel
37	36167	1	Frame
38	36168	1	Steering Pivot Channel
39	36169	1	Front Axle Support
40	126227	6	Bolt, Carriage 3/8-16x.75
41	120382	12	Washer, Lock 3/8 Reg.
42	120377	12	Nut, Hex 3/8-16
43	36173	1	Flange Bushing
44	273936	3	Pin, Spring .125x1.000
46	137185	5	Pin, Cotter .125x1.00
47	36176	2	Tire and Wheel Assembly
			<u>Consists of:</u>
	36776	1	Tire
	36777	1	Rim
	36778	2	Bearings
49	36277	2	Spindle Cup
50	36179	2	Pin, Cotter Tee Hd. 1/4
51	446494	7	Washer, Flat .56x.187x.109
52	126402	3	Bolt, 3/8-16x1.25 Rd Hd Sq Nk
53	36182	1	Pivot Arm
54	36183	3	Washer, .626 IDx3.85 ODx21 Ga
55	120394	1	Washer, Flat .406x.812x.065
58	36185	4	Hair Pin, Internal 3/32
59	36186	1	Brace
60	36108	1	Module (w/Connector)
61	36109	1	Connector
62	159929	2	Screw, Machine 10-24x.625
63	36191	2	Nut, Keps 10-24
64	180077	3	Bolt, Hex 5/16-18x.75
67	180122	1	Bolt, Hex 3/8-16x1.00
68	36313	1	Tie Down
70	120915	2	Bolt, 3/8-16x1.00 Rd Hd Sq Nk
72	36520	1	Clip
75	36202	2	Hub Cap
77	120386	3	Washer, Flat .312x.734x.065
78	131018	AR	Washer, Flat .938x1.750x.134
79	455313	1	Pin, Spring .250x1.750
81	36208	AR	Washer
82	36209	1	Drag Link
83	413447	3	Nut, Lock 5/16-18

FUEL SYSTEM AND ELECTRICAL SYSTEM



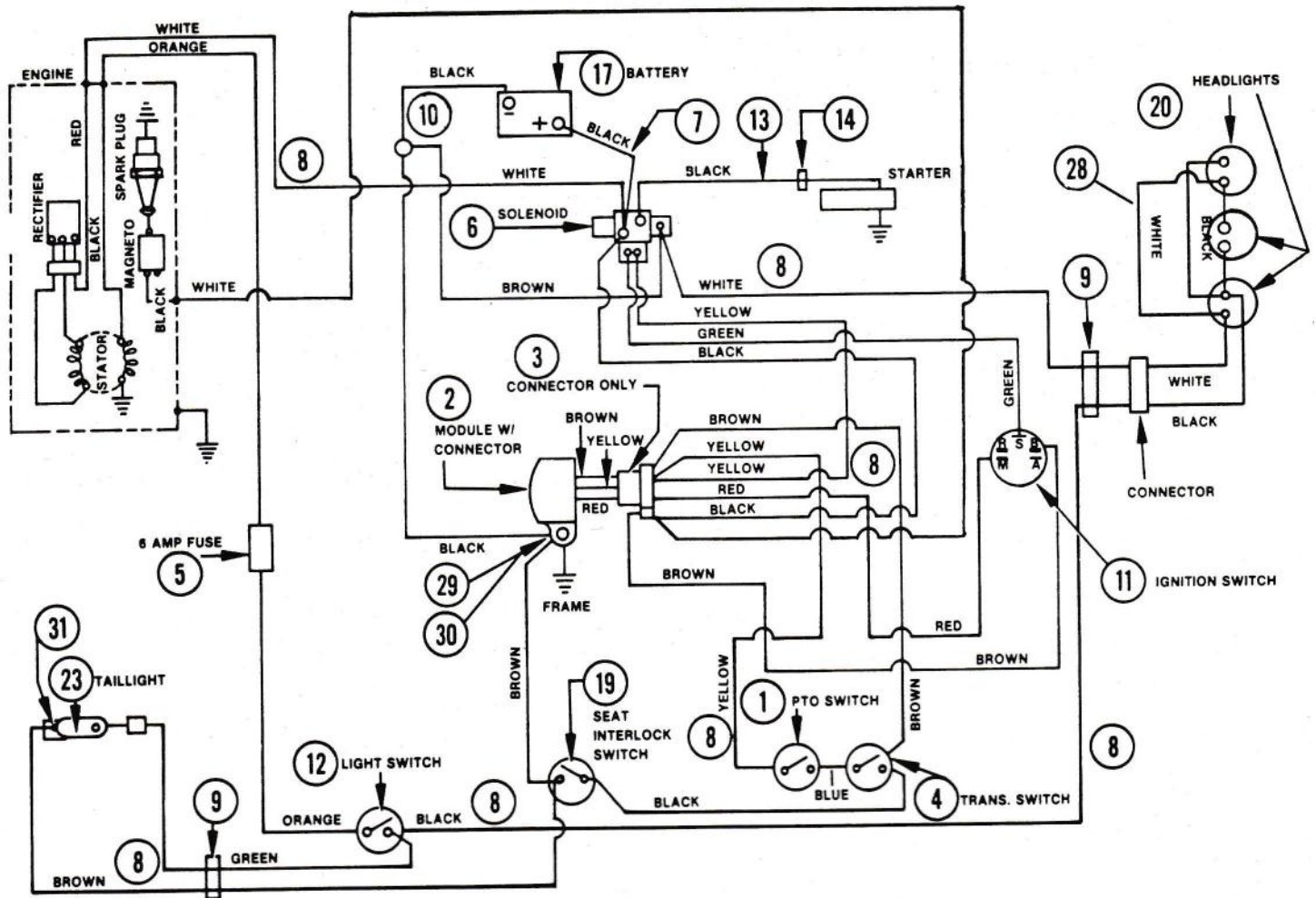
FUEL SYSTEM AND ELECTRICAL SYSTEM

ITEM NO.	PART NO.	QTY.	DESCRIPTION
1	36292	1	Throttle Control
2	120217	2	Washer, Lock No. 10 Sp.
3	36506	2	Nut
4	446179	2	Washer, Flat .250x.500x.049
5	20564	1	Ignition Switch
6	19667	1	Washer, Lock Int. Tooth
7	19666	1	Nut, Jam 9/16-24
8	36117	1	Light Switch
9	120371	1	Nut, Hex 1/2-20
10	36301	1	Knob
11	30610	1	Battery, 12 Volt Small
12	40117	2	Tie Down
13	39629	2	Hold Down
14	120386	3	Washer, Flat .312x.734x.065
16	36307	1	Fuel Tank
17	36308	1	Lower Tank Support
20	36309	2	Hose
21	36310	1	Fuel Filter
23	36312	4	Hose Clamp
24	36313	1	Tie Down
25	36115	1	Cable, Battery to Engine Base
26	36315	1	Fuel Gauge
27	36316	1	Exhaust Muffler
29	36498	1	Dash Base
30	36318	1	Dash
31	36319	1	Battery Stand
33	180075	4	Bolt, Hex 5/16-18x.625
34	131099	4	Washer, Lock 3/8 Sp Heavy
35	120376	4	Nut, Hex 5/16-18
36	36324	1	Knob
37	18570	1	Key, Ignition Switch
38	36326	1	Clamp, Strap
39	36111	1	Solenoid
40	39075	2	Screw, Taptite 1/4-20x.375
41	120380	8	Washer, Lock 1/4 Reg.
42	120375	5	Nut, Hex 1/4-20
45	36332	1	Bushing
46	36333	1	Drain Lock
47	36335	1	Tube
48	180087	4	Bolt, Hex 5/16-18x2.00
49	36337	4	Washer, 5/16x1-5/8x.135
60	413447	4	Nut, Lock 5/16-18
61	36343	1	Gasket
62	180077	2	Bolt, Hex 5/16-18x.75
63	36518	1	J-Clamp
64	36346	5	Tapping Screw, 10-16x3/8
65	180021	2	Bolt, Hex 1/4-20x.875
66	413314	2	Nut, Lock 1/4-20
67	180016	4	Bolt, Hex 1/4-20x.50
68	36350	1	Sheave, Engine
69	40119	1	Key, Straight 1/4x2x1/4
71	120389	1	Washer, Flat .500x1.250x.083
72	131100	1	Washer, Lock Sp Heavy
73	181666	1	Bolt, Hex 7/16-20x1
76	36358	1	Hose Clamp
79	36520	1	Clip
80	121753	2	Washer, Lock 1/4 Ext.
82	36363	4	Engine Spacer
84	138485	1	Washer, Lock 5/16 Ext Th TYA
85	36366	1	Washer
86	33847	2	Boot, Battery Cable
87	422845	2	Washer, Flat .281x.625x.065

HARDWARE NOT ILLUSTRATED:

138538	2	Washer, Lock 5/16 Int. Tooth
124920	2	Nut, Jam 5/16-24 Hex
120217	2	Washer, Lock No. 10 Sp
453284	2	Nut, Hex 10-32

ELECTRICAL DIAGRAM



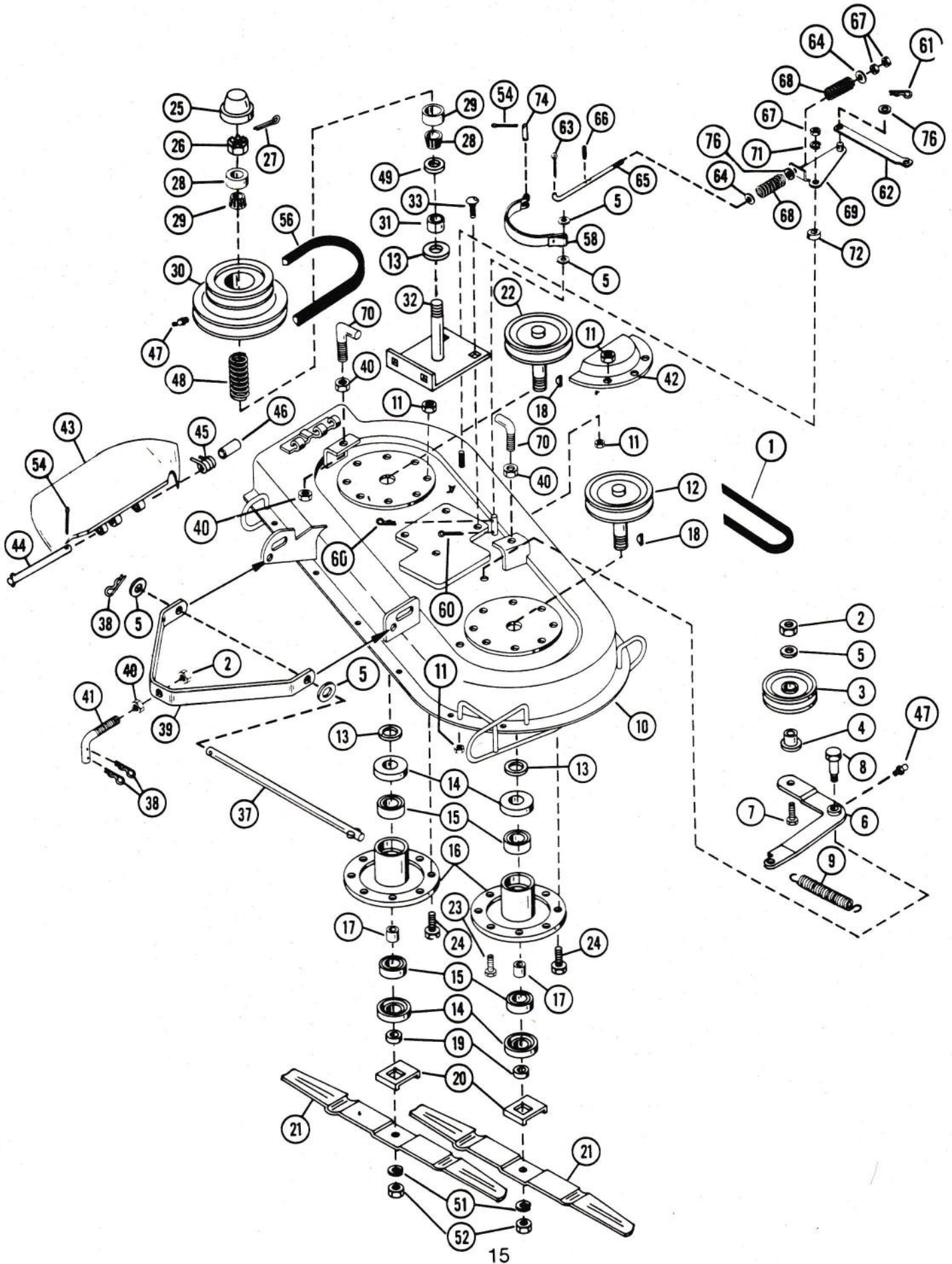
ELECTRICAL DIAGRAM

ITEM NO.	PART NO.	QTY.	DESCRIPTION
1	36107	1	Switch, Interlock PTO Clutch
2	36108	1	Module (w/Connector)
3	36109	1	Connector (to Module)
4	36110	1	Switch, Interlock-Shift Lever
5	No Number	1	Fuse, 6 Amp
6	36111	1	Solenoid
7	36112	1	Cable, Battery to Solenoid
8	36113	1	Wiring Harness
9	36518	2	"J" Clamp
10	36115	1	Cable, Battery to Engine Base
11	20564	1	Ignition Switch
12	36117	1	Light Switch
13	36118	1	Cable Solenoid to Starter
14	36313	1	Wire Tie
17	30610	1	Battery
19	36121	1	Seat, Switch
20	454646	3	Headlight, No. 1073
23	36123	1	Tailight Asm.
	36784	1	Lens
		1	Bulb, Standard GE 1895
28	36788	1	Wiring Harness, Headlights
29	159929	2	Machine Screw
30	36191	2	Keps, Nut 10-24
31	36126	1	Adaptor Clip

Hardware Not Illustrated:

131099	2	Lockwasher 5/16-24 (Cables to Solenoid)
124920	2	Nut, Hex 5/16-24 (Cables to Solenoid)
120217	1	Lockwasher, 3/16 (Wiring to Solenoid)
453284	1	Nut, Hex 10-32 (Wiring to Solenoid)

38" MOWER



38" MOWER

ITEM NO.	PART NO.	QTY.	DESCRIPTION
1	35955	1	Belt
2	414074	2	Nut, Lock 1/2-13
3	35957	1	Idler Pulley
4	35958	1	Flange Bushing
5	446494	5	Washer, .505IDx.8800Dx.072
6	35960	1	Idler Arm
7	180175	1	Cap Screw, 1/2-13x1.250
8	35962	1	Shoulder Bolt
9	35888	1	Spring
10	35964	1	Deck (Pan)
11	413534	20	Nut, Lock 3/8-16
12	35966	1	Sheave, 4"
13	131018	3	Washer, Flat .938x1.750x.134
14	35968	4	Bearing Slinger
15	35925	4	Radial Bearing
16	35970	2	Spindle Housing
17	35971	2	Spacer
18	106751	2	Key, No. 9 Woodruff 3/16x3/4
19	35973	2	Retainer Hub
20	35974	2	Blade Tray
21	35975	2	Mower Blade
22	35976	1	Sheave, 3-3/4"
23	180122	3	Bolt, Hex 3/8-16x1.00
24	180120	9	Bolt, Hex 3/8-16x.75
25	35979	1	Cap
26	35980	1	Slotted Jam Nut
27	120123	1	Cotter Pin, 1/8"x1.25"
28	18445	2	Bearing Cup
29	18446	2	Bearing Cone
30	35984	1	Sheave
31	35985	1	Spacer
32	35986	1	Drive Plate
33	126227	4	Bolt, Carriage 3/8-16x.75
37	35988	1	Tow Pin
38	36566	3	Hair Pin, 3/32x1-7/8 PL
39	35990	1	Mower Strap
40	120238	5	Jam Nut
41	35992	1	Tow Hook
42	35993	1	Cover
43	35994	1	Chute Deflector
44	35995	1	Hinge Pin
45	35996	1	Spring Torsion
46	35997	1	Bushing
47	36160	2	Lube Fitting
48	35999	1	Spring, Compression
49	36000	1	Seal
51	131046	2	Lockwasher, 3/4
52	426897	2	Jam Nut, 3/4-10
54	121222	2	Cotter Pin, 3/32x.75
56	36004	1	Mower Belt
58	36005	1	Band Brake
60	121224	2	Cotter Pin 3/32x1
61	36075	1	Hair Pin, Internal 3/32x1.27/64
62	36009	1	Link
63	112726	2	Cotter Pin 1/16x.500
64	120386	2	Washer, Flat .312x.734x.065
65	36012	1	Brake Rod
66	273753	1	Roll Pin, 1/8x.75
67	120376	3	Nut 5/16-18
68	36015	2	Spring
69	36016	1	Brake Lever
70	36017	2	Hanger Hook
71	131099	1	Lockwasher
72	36019	1	Spacer
74	36021	1	Pin
76	120394	2	Washer

Not Illustrated:

33927	1	Decal, Danger Foot
35331	1	Decal, Caution
33928	1	Decal, Warning Eye
33926	1	Decal, Danger Hand
32872	2	Decal, No Step